

Keypad Lock Product Guide

Item No.:COCO-1

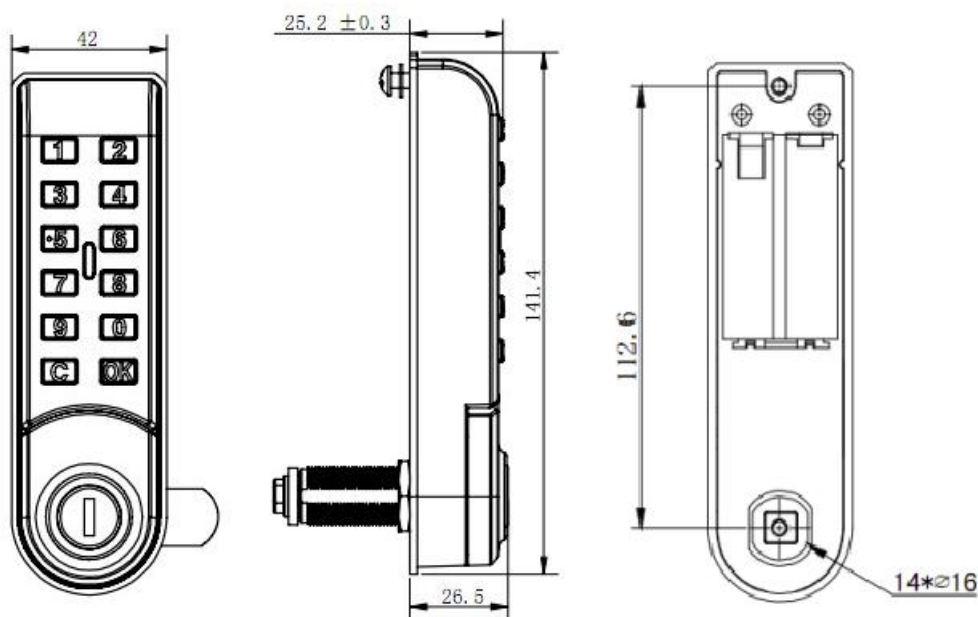
Technical Data

Material	Zinc alloy housing and handle with black/satin chrome coated
	Mechanical, override lock key
	Fixing screws and cam
Input Voltage	DC3V
Battery	2 X AA alkaline batteries
Static Power	≤ 15uA
Dynamic Power	≤ 170mA
Use condition	Temperature: -15°C ~60°C ; Humidity: 15%~90%



Features

- Quick and easy to install and operate
- Easy to set codes
- 8 digit master code, 6 digit sub-master code, 6 digit technician code, 4 digit user code
- Two user modes: Private use and Public use
- LED in 2 colors for lock status (blue/red)
- Mechanical override key for emergency opening, 3000 different codes available



Operating Instructions

The lock has a 10 button keypad , a C button and an OK button.

The lock has three code levels that allow you to perform the following actions:

- 1) Master code:
Open the lock; Change the master code; Set/Change/Delete the sub-master and user code;
Select between Private and Public functions, Activate/deactivate technician code
- 2) Sub-master code:
Open the lock; Change the sub-master code; Set/Change/Delete the user code;
- 3) User code:
Open the lock; Change the user code
- 4) Technician code: open the lock

Default Settings

Master code = 99551133 (8 digit code) User code =1111 (4 digit code)

Private Mode

Functions

Before programming, select the most appropriate function for the application:

A) Private Mode or B) Public Mode

Private Mode

Note: this is the default function and is already pre-programmed into each lock. This is the most common mode and is used where the same code will be repeatedly used.

To set to Private Mode: C - - 11 - -OK- - Master code - -OK

Example: C - - 11 - -OK- - 99551133 - -OK

Result: The lock will revert back to default Private Mode, factory set user code 1111 will now work until reprogrammed.

Public Use

This function is used for short term, multi user applications. The code is only used one time

To set to Public Mode: C-- 22 - -OK- - Master code - -OK

Result: the lock will now remain open until next user enters their own code into the lock as follow:

Step 1: enter new user code --Auto lock after 4 seconds, close the locker which will now be locked

Step 2: enter user code-- The lock will now remain open until next 4 digit code is entered

Note: when locked in public mode the blue light will flash every 2 seconds to indicate the locker is in use



Setup

New locks operate with the default user and master codes. A new user and master code must be programmed to prevent the default codes from operating the lock and reducing lock security.

Set Timed Lock Functions

C -05 - OK - master code -OK- XX(time:01~24 hours) - OK

(12 hours auto unlock after set the user code by factory settings.)

(Set the hours number to 88, the timed lock time will be 10 seconds for test.)

Master Code Functions:

1) Open:

Enter master code

(The user code will be deleted when using master code when the lock is in public mode)

2) Programing Master Code

Press C --01—OK—current master code —OK--- new master code - -OK

Example: C—01—OK—99551133—OK---12345678---OK

Result: Master code has been changed to 12345678

3) Set or change the sub-master Code

Press C---02---OK -- master code---OK---new sub-master code---OK

4) Delete sub-master code

Press C---03---OK---Master code---OK

5) Set or change the User Code (Private Mode)

Press C---00---OK – master code - -OK- - new user code - -OK

the blue light flash 2 times and one beep will be heard

Example: C--00--OK--99551133--OK--1234--OK

Result: New user code 1234 now operative

6) Delete User code

C---04--OK---Master code--OK

7) Activate/deactivate technician code

Activate: C--77--OK--Master code--OK

Deactivate: C--88--OK--Master code--OK



Sub-master code functions:

1) Open:

Enter sub-master code

(The user code will be deleted when using sub master code when the lock is in public mode)

2) Change the sub-master Code

C---02---OK -- current sub-master code --- OK --- new sub-master code --- OK

3) Set/Change the User Code (Private Use mode)

C---00---OK--sub-master code ---OK--- new user code --- OK

4) Delete User code (Private Use mode)

C---04---OK---sub-master code---OK

User code function:

Private Mode

1) Open:

Enter user code

2) Change the User Code

C-- current user code --OK--new user code---OK

Public Mode

1) Set code: enter user code---OK

2) Open:

Enter user code

Technician code function:

Default code 147258

1) Open: enter technician code---OK

In private mode using the Technician code will not delete or change the user codes. In public mode it will delete the user code.



Initialize

C ---99--OK

Lock resets to default settings

Additional Functions

Occupied Status Indicator (Public Mode) – deactivated by default

When activated the blue light will flash every 2 seconds to indicate the locker is in use

Activate: C--- 33 - -OK- - Master code - OK

Deactivate: C-- 44 - -OK- - Master code - -OK

Password protection – deactivated by default

Entering incorrect codes 5 times will cause the lock to shutdown for 5 minutes

Automatically locked in Private Mode

The PCB will be lock 3 seconds after being opened

Emergency Opening

Master key for emergency opening ,the lock code still keep the previous setting

Sound signals

-- Press button: beep

--Successful unlocking: beep

-- Low power alarm: 5 beeps

Colour signals

--Blue light flashes when: 1) unlocked successfully 2) programming successful

--Red light flashes when: 1) wrong code entered 2) low power alarm

Low power alarm Function

Alarm will sound if the battery power is low (5 beeps, red light flashes 3 times before blue light flashes once) informing users to replace the batteries.

Changing the Battery

1. Remove fixing screw
2. Rotate the lock down over the edge of door
3. Take out the batteries
4. Put in the new batteries and screw lock back into place

